

FDC Mk.I Board 600729 Issue B

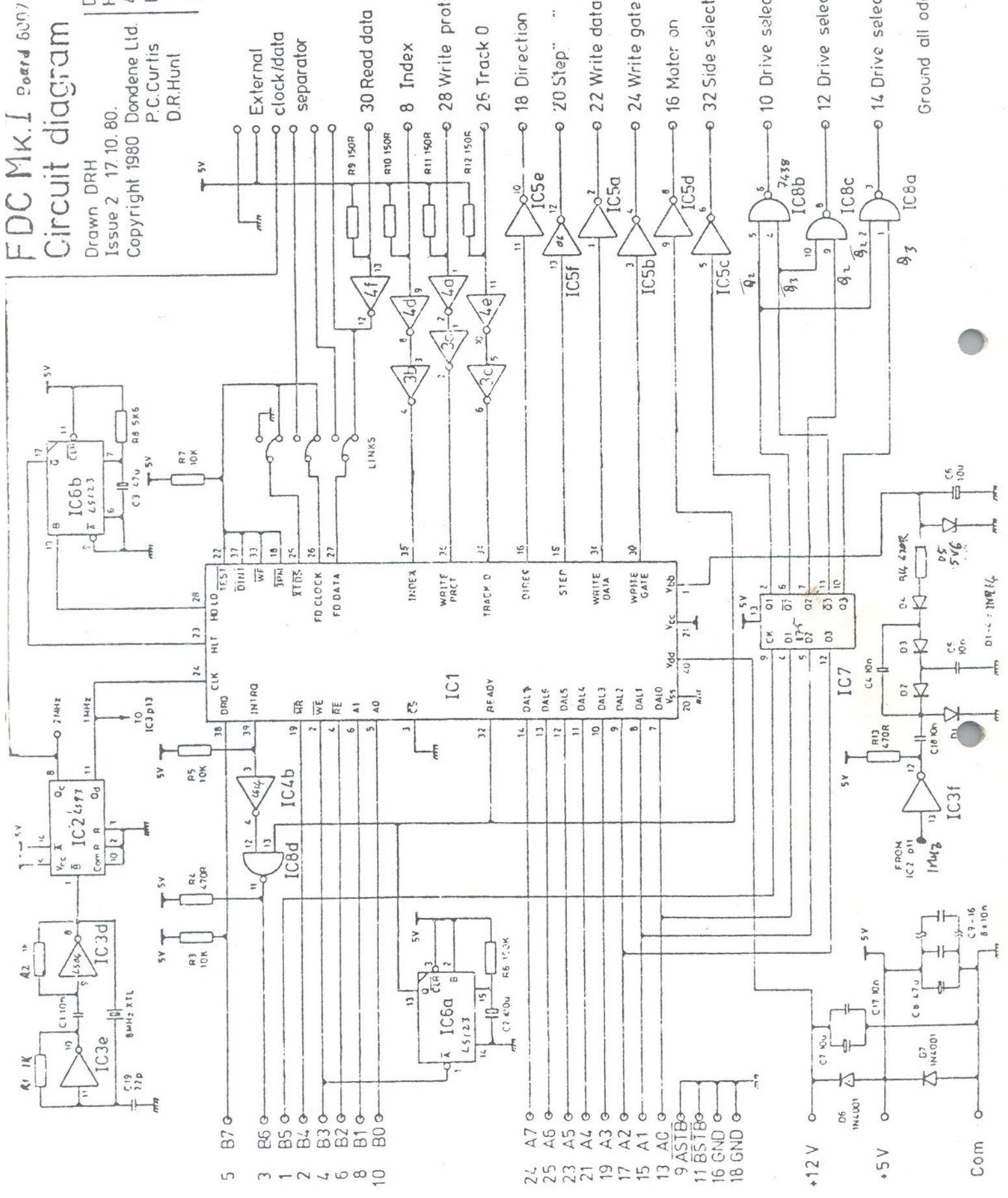
Circuit diagram

Drawn DRH
 Issue 2 17.10.80.
 Copyright 1980 Dondene Ltd.
 P.C.Curtis
 D.R.Hunt

Dondene Ltd, trading as
 HENRY'S RADIO,
 404, Edgware Road
 London W2 1EB

HENELEC SYSTEM

- IC1 1771
- IC2 74LS93
- IC3 74LS05
- IC4 74LS14
- IC5 7406
- IC6 74LS123
- IC7 7475
- IC9 7438



Ground all odd pins