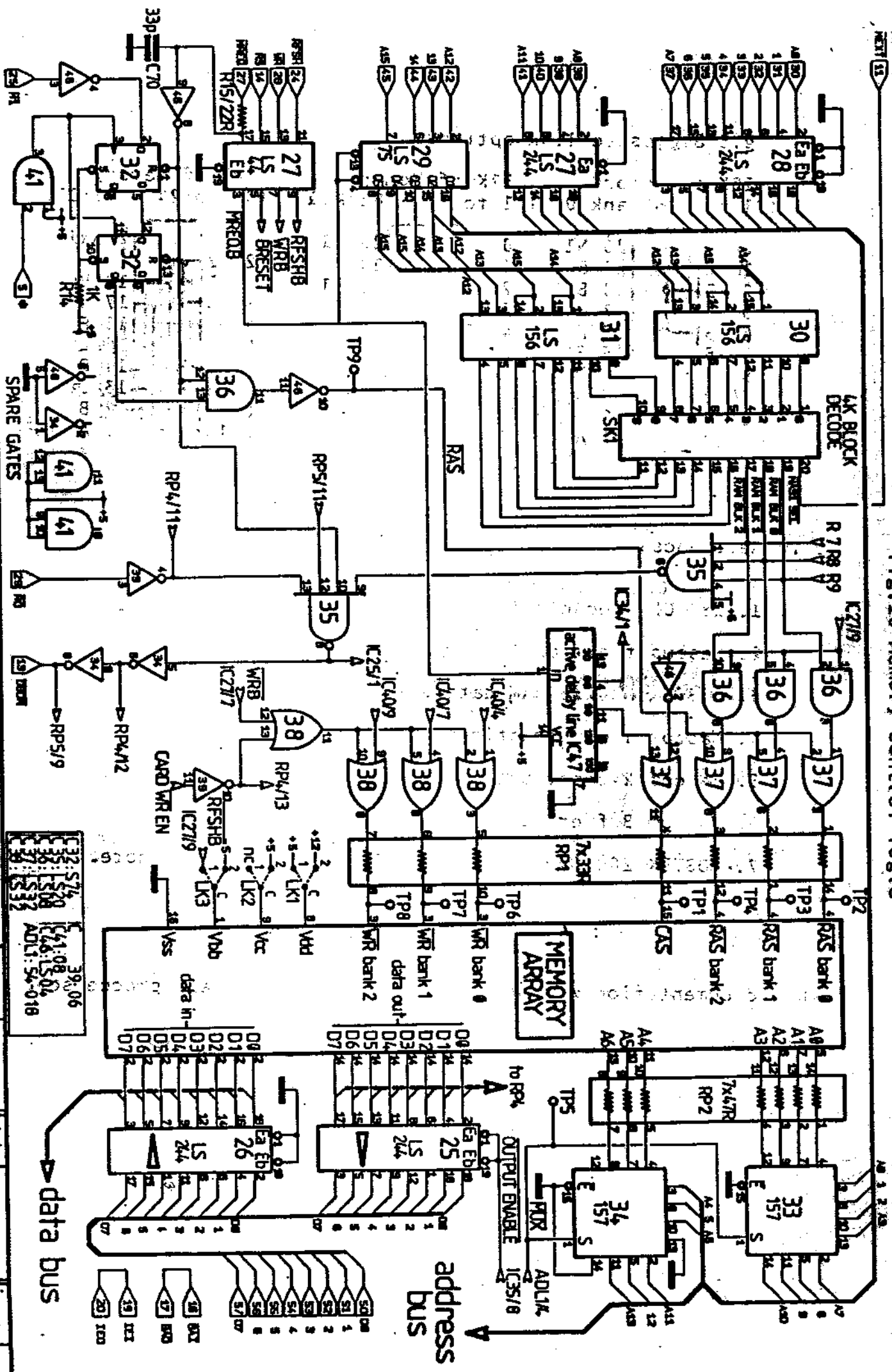


FIG. 10 Memory control logic

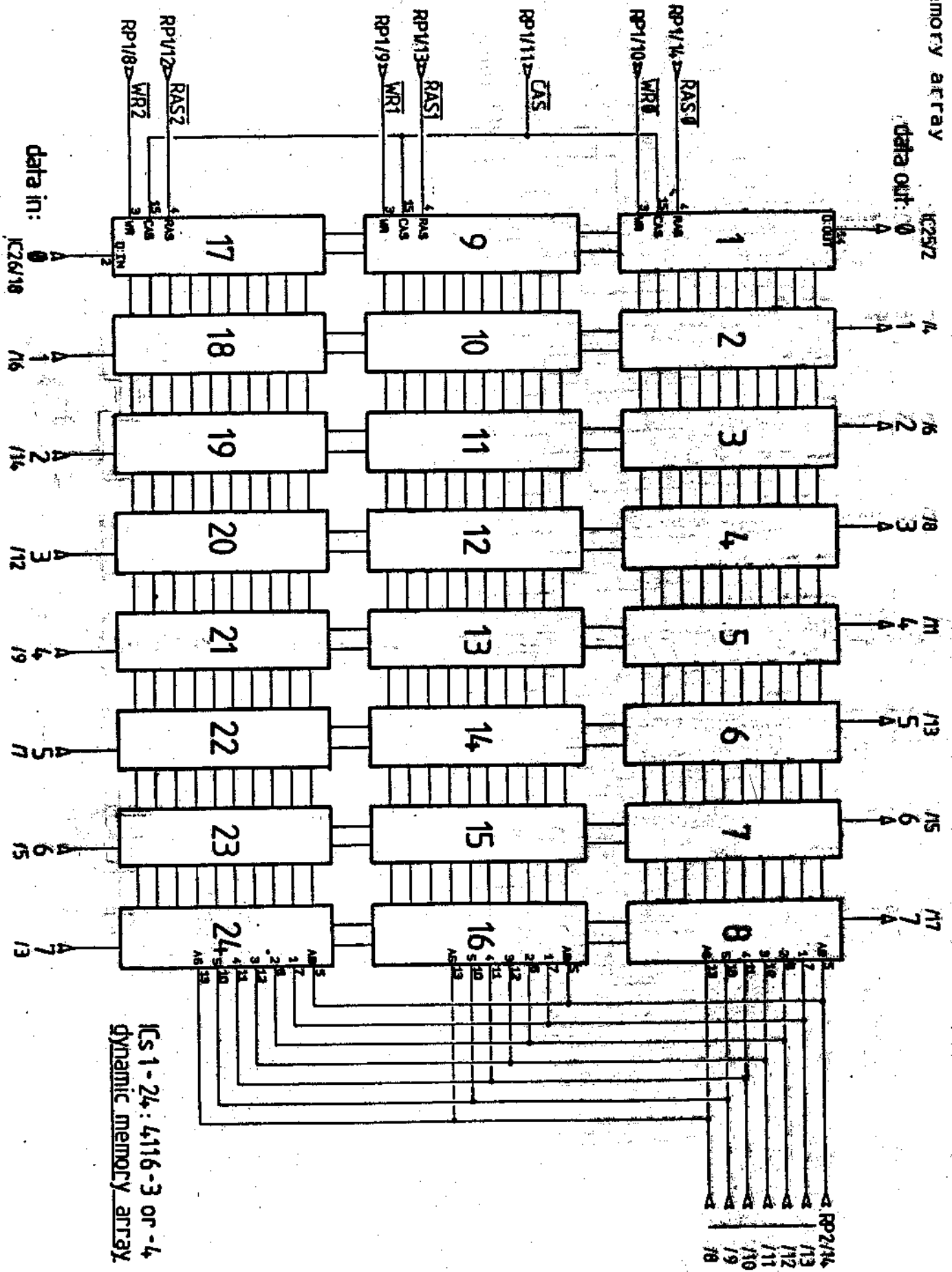


NASCOM microcomputers Ltd.
92 Broad Street, Chesham, Bucks.

type (b) RAM board [11]

NM no.	024-400	date	22-04-80	issue	2
drawn		checked			

fig. 12 Memory array



ICS 1-24: 4116-3 or -4
dynamic memory array